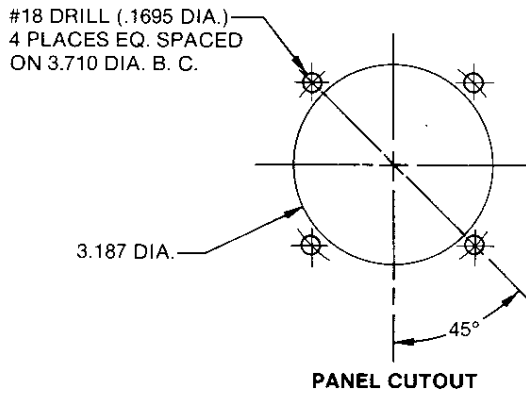
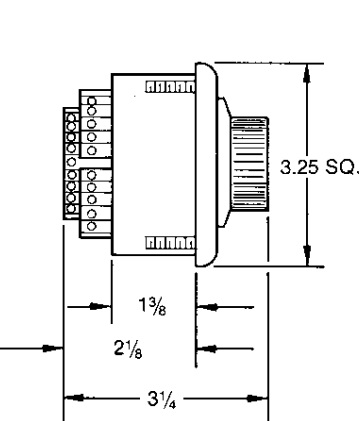
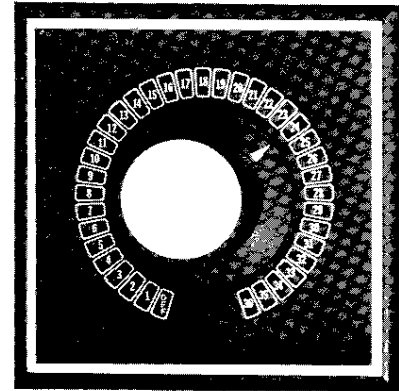
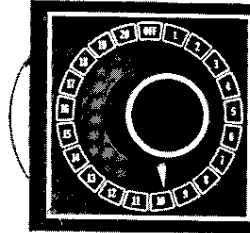
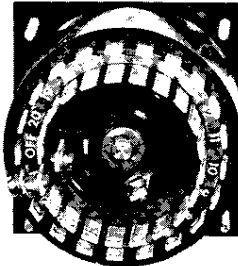
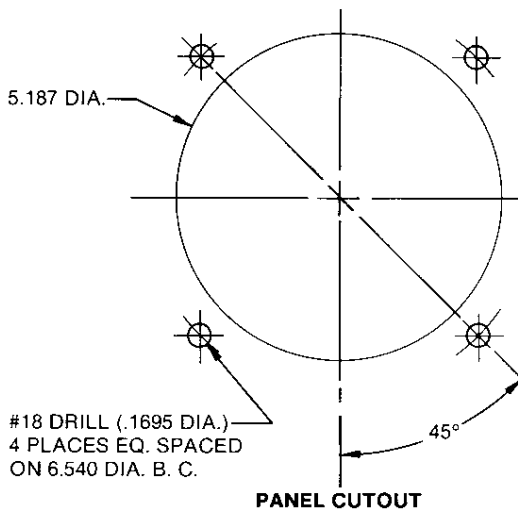
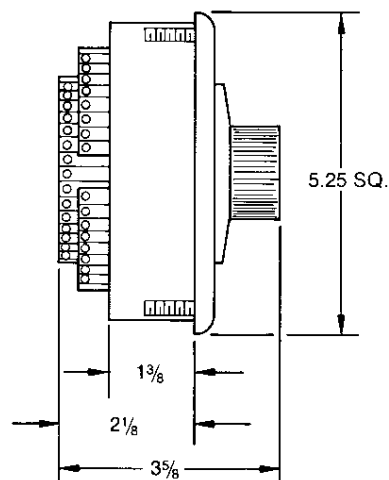


CONNECTORS SELECTOR SWITCHES

- Available in 2 to 40 positions
- 2 Pole and 3 Pole circuits with "OFF" position
- Silver plated blades and contacts with self-cleaning wiper action and low contact resistance
- Terminals are silver plated brass numbered circuits with polarity identification
- "OFF" position has terminals available for shorting input circuit when using it with a digital meter (Not available on 3-Pole)
- High impact GE Noryl™ case
- Break before make SW3-2 through SW3-10
- Make before break SW3-12 through SW3-40 and SWT-6 through SWT-36
- Pistol grip knob is available (suffix PG)



NO. POS.		CODE NO.
2	2 Pole	SW3-2
3		SW3-3
4		SW3-4
5		SW3-5
6		SW3-6
8		SW3-8
10		SW3-10
12		SW3-12
14		SW3-14
16		SW3-16
18	SW3-18	
20	SW3-20	



NO. POS.		CODE NO.
24	3 Pole	SW5-24
28		SW5-28
30		SW5-30
32		SW5-32
36		SW5-36
40		SW5-40
6		SWT-6
12		SWT-12
18		SWT-18
24		SWT-24
28	SWT-28	
32	SWT-32	
36	SWT-36	