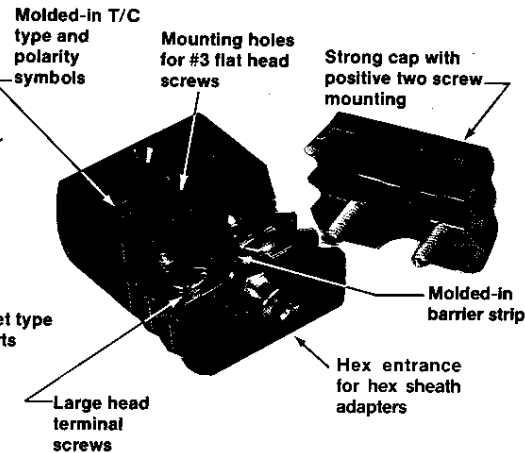
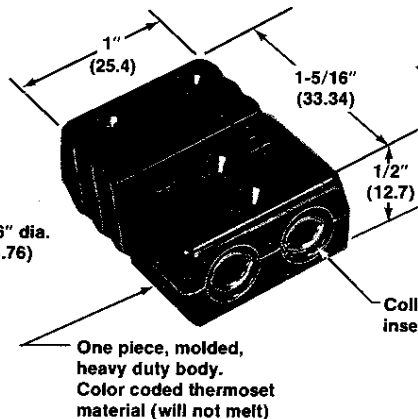
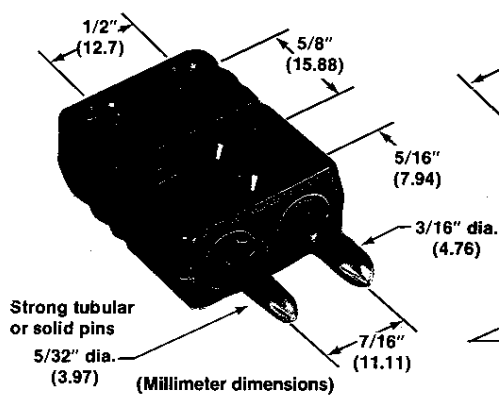


CONNECTORS FULL SIZE — 2-POLE — HEX BODY



FULL SIZE 2-POLE — HEX BODY			
CODE NO.	PRICE EACH	DESCRIPTION	
1065 - *		Plug	
1055 - †		Solid Pin Plug	
1015 - *		Jack	

HIGH-TEMPERATURE 2 POLE — HEX BODY		
CODE NO.	PRICE EACH	DESCRIPTION
Hex Body Connectors are not available in high temperature use regular connectors for this application		

- 2-Pole Connector plugs and jacks are made to exacting specifications to provide rapid, dependable connections between thermocouples and extension wires.
- Alloys of prongs and inserts match ANSI calibrations to maintain sensing accuracy. Alloy and polarity are identified by symbols molded into body.
- Connector bodies molded of glass-filled thermoset compounds (will not melt) for high strength and dependability. The color coded Connectors will withstand ambient temperatures of 400°F (205°C) continuous and 500°F (260°C) intermittent.
- Inserts are spring loaded collet type to assure positive full contact with the negative insert larger making it virtually impossible to mismatch.
- For corrosive applications, gold or nickel plated prongs and inserts are available. Caution — system errors can result from use of plated contacts if significant thermal gradients exist at connector.

* - Tubular Pin Availability: J,K,T,N,E,R,S,U, also "C" EXCEPT at extra cost.
† - Solid Pin Availability: J,K,T,E,R,S,U.

TYPE CODE	INSERT MAT'L. ALLOY		COLOR CODE
	POSITIVE	NEGATIVE	
J	IRON	CONSTANTAN	BLACK
T	COPPER	CONSTANTAN	BLUE
K	CHROMEL™	ALUMEL™	YELLOW
N	NICROSIL	NISIL	ORANGE
R	COPPER	#11 ALLOY	GREEN
S	COPPER	#11 ALLOY	GREEN
E	CHROMEL™	CONSTANTAN	VIOLET
U	COPPER	COPPER	WHITE
C	#405 ALLOY	#426 ALLOY	BROWN

For gold plating use suffix "G" (i.e. 1065-K-G) at extra cost.
For nickel plating use suffix "P" (i.e. 1065-K-P) at extra cost.

MOUNTING HARDWARE

BRAZE ADAPTER

CODE NO.	PRICE EACH	
1077-*		

Specify Size: Blank, .040", .062", .090", .125", .187", .250"
*Code: 000, 040, 062, 090, 125, 187, 250

HEX-CRIMP ADAPTER

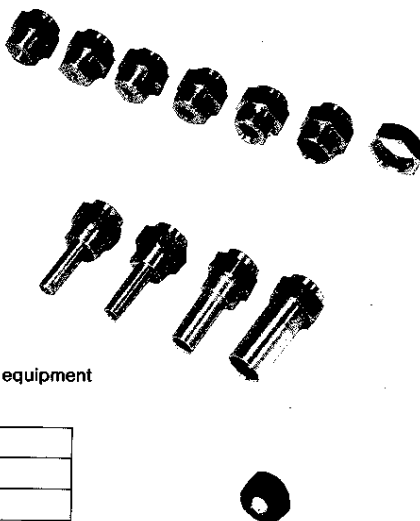
CODE NO.	PRICE EACH	
1075-*		

Specify Size: .040", .062", .125", .187"
*Code: 040, 062, 125, 187

(Power crimping equipment recommended.)

NEOPRENE WIRE GRIP BUSHING

CODE NO.	PRICE EACH	
1079		



Distributed by: B. J. Wolfe Enterprises, Inc. • (<http://www.bjwe.com>)
5321 Derry Avenue, Unit E • Agoura Hills, CA 91301
(800) 554-1224 • +001 818 889-8412 • Fax (818) 889-8417